

## Glass Passivated Bridge Rectifiers

Reverse Voltage - 50 to 1000 Volts

Forward Current - Amperes

### Features

- Glass passivated chip
- Low forward voltage drop
- Ideal for printed circuit board
- Meet UL flammability classification 94V-0

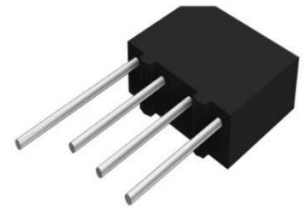
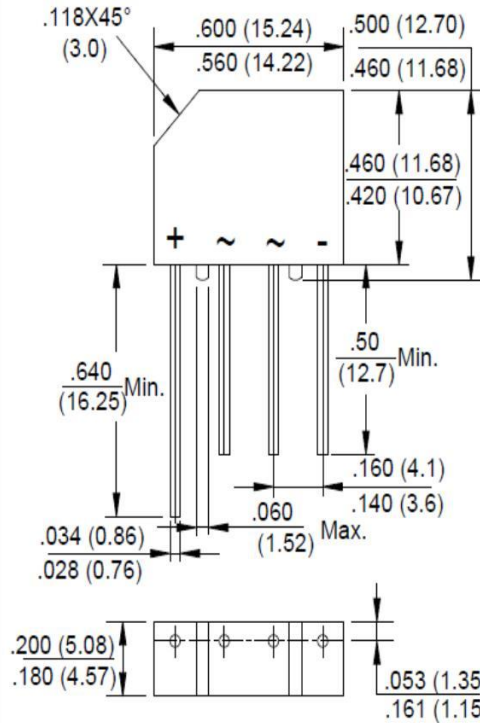
### Mechanical Data

- Polarity: Symbol marked on body
- Mounting position: Any

### Applications

- General purpose use in AC/DC bridge full wave rectification, for home appliances, office equipment, etc.

### KBP



RoHS  
COMPLIANT

Package Outline Dimensions in Inches (Millimeters)

### Maximum Ratings and Electrical Characteristics

Rating at 25°C ambient temperature unless otherwise specified.

Single phase, half wave, 60Hz, resistive or inductive load.

For capacitive load, derate current by 20%.

Characteristics	Symbol	RS201	RS202	RS203	RS204	RS205	RS206	RS207	Unit
Maximum Repetitive Peak Reverse Voltage	V <sub>RRM</sub>	50	100	200	400	600	800	1000	V
Maximum RMS Voltage	V <sub>RMS</sub>	35	70	140	280	420	560	700	V
Maximum DC Blocking Voltage	V <sub>DC</sub>	50	100	200	400	600	800	1000	V
Maximum Average Forward Rectified Current @T <sub>A</sub> =50 °C	I <sub>(AV)</sub>	2							A
Peak Forward Surge Current, 8.3mS Single Half Sine-Wave, Superimposed on Rated Load (JEDEC Method)	I <sub>FSM</sub>	50							A
I <sup>2</sup> t Rating for Fusing (t<8.3mS)	I <sup>2</sup> t	10.4							A <sup>2</sup> s
Peak Forward Voltage per Diode at 2A DC	V <sub>F</sub>	1.1							V
Maximum DC Reverse Current at Rated @T <sub>J</sub> =25°C	I <sub>R</sub>	10							μA
DC Blocking Voltage per Diode @T <sub>J</sub> =100°C		1.0							mA
Operating Junction Temperature Range	T <sub>J</sub>	-55 to +150							°C
Storage Temperature Range	T <sub>STG</sub>	-55 to +150							°C

[www.ndone.cn](http://www.ndone.cn)

[www.comonsemi.com](http://www.comonsemi.com)

Fig. 1 - Forward Current Derating Curve

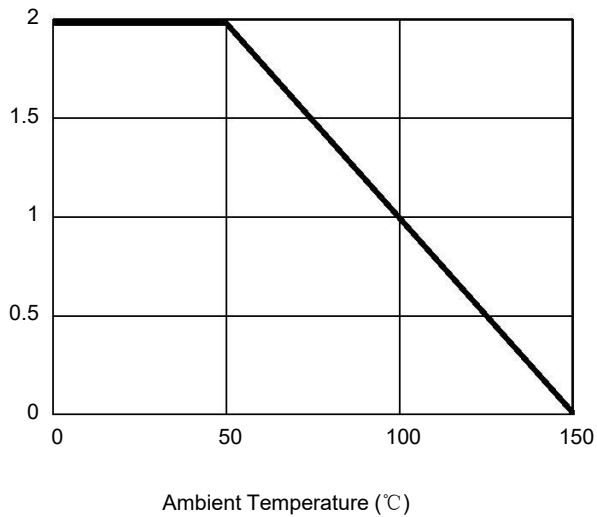


Fig. 2 - Maximum Non-Repetitive Surge Current

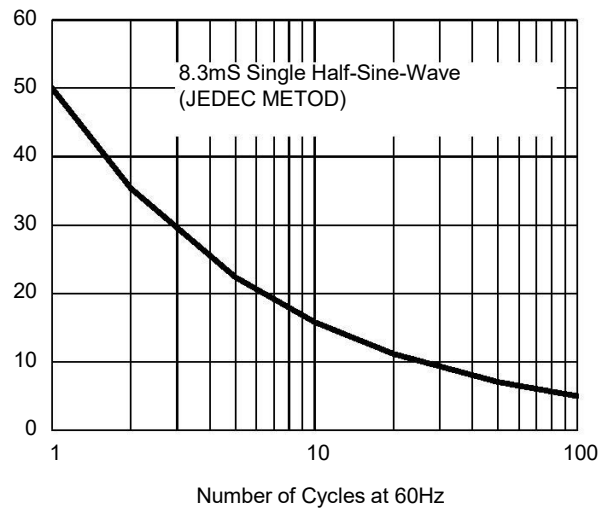


Fig. 3 - Typical Reverse Characteristics

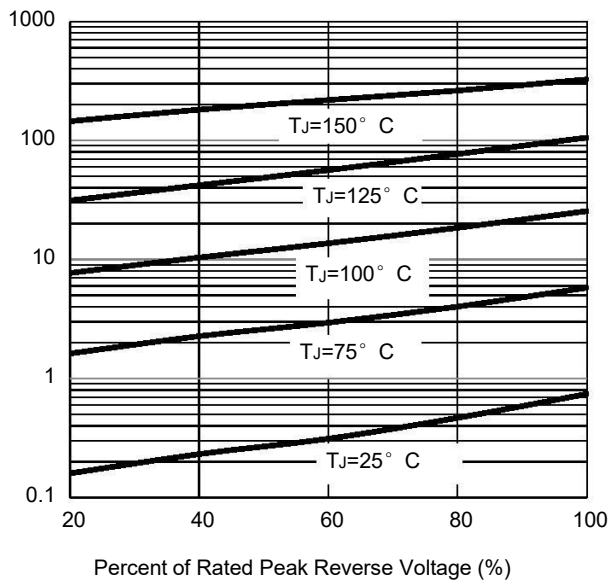
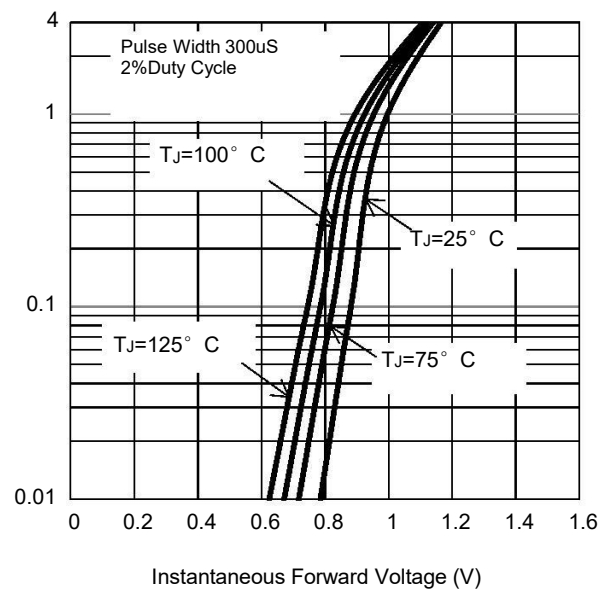


Fig. 4 - Typical Forward Characteristics



The curve above is for reference only.